

Alpha-Actuator 230 V AA 2004 | AA 2104

The Alpha-Actuator is a thermoelectric actuator for opening and closing valves used in the fields of heating, ventilation and air conditioning engineering.

The Alpha-Actuator is available in version normally-close (AA 2004) and normally-open (AA 2104).

The Actuator control is by a room thermostat (e.g. Alpha-Thermostat 230 V) with two-point output or pulse-width modulation.

A wide choice of valve adapters guarantees perfect adaptation to a large number of valve bottoms and heating circuit distributors.

The compact and shapely design and functionality enables the Alpha-Actuator 230 V to be universally applicable and open the use in different systems.



Features

- Functional design
- Small dimensions
- First-Open function
- Versions normally-closed (NC) / normally.open (NO)
- All around function indicator
- Maintenance free
- Noiseless
- High functional safety and long expected service life
- Low power consumption
- Connecting cable plug-in
- 360° installation positions
- Snap-on installation
- Valve-adapter concept
- Adaptation check on valve
- 100% protection against leaky valves
- Antitheft protection by detachable transparent visor

Application

- Alpha-Actuator offers optimal control of radiators and heating circuit distributors.
- Control is done a room thermostat with two-point output or pulse-width modulation

General Information

Scope of Supply

- 1x Alpha-Actuator 230 V (normally closed)
- 1x cable 1 meter
- 1x Installation instructions in 9 languages

Type

AA 2004: Version 230 V – normally closed
AA 2104: Version 230 V – normally open

Optional available extensions

- First-Open function (for NC only)
- Other cable length are available

Accessories

The valve adapter fitting your application has to be ordered sperately.

Customer-specific Version

Customer-specific version is available on request.

Ordering information

Our staff will be glad to assist you in finding the Alpha-Actuator fitting your application.
Call us at: +49 53 41 – 84 75 - 0

Functions

In General

The actuator mechanism of the OEM-Actuator uses a PTC resistor-heated elastic element and a compression spring. The wax element is heated by applying the operating voltage and moves the integrated ram. The force generated by the movement is transferred on the valve lifter and thus opens and closes the valve.

Standard Version

Normally Closed (valve closed)

The valve is opened steadily by the ram motion upon switching on the operating voltage and after expiry of the dead time. The elastic element cools down after the operating voltage is cut and after expiry of the hold time, the valve is closed evenly by the closing force of the compression spring.

The closing force of the compression spring is matched to the closing force of commercially available valves and keeps the valve normally closed.

Valve-Adapter-Concept

A valve-adapter concept guarantees a perfect match of the actuator to almost any valve bottom or heating circuit distributor available on the market. Simply snap-on the Alpha-Actuator to the pre-installed valve adapter.

Function Display

The function display of the Alpha-Actuator (all-round display) allows identifying the operating condition (valve open or closed) at a glance.

Extended Version

First-Open Function (for NC only)

In its delivery condition, the Alpha-Actuator is normally open due to the First-Open function. This enables heating operation during the carcass construction phase even when the electric wiring of the single room control is not yet complete. When commissioning the system at a later date, the First-Open function is automatically unlocked by applying the operating voltage (for more than 6 minutes) and the Alpha-Actuator is fully operable.

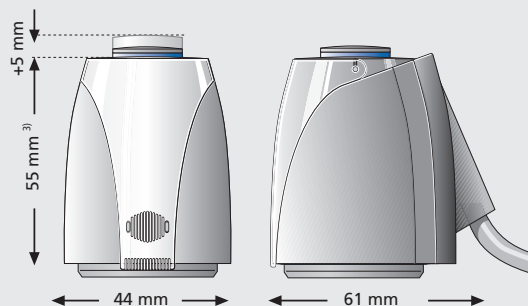
Alternative Version

Normally Open (valve open)

In case of the normally open version, ram motion is redirected by mechanical means, resulting in precisely opposite actuator function.

Technical Data

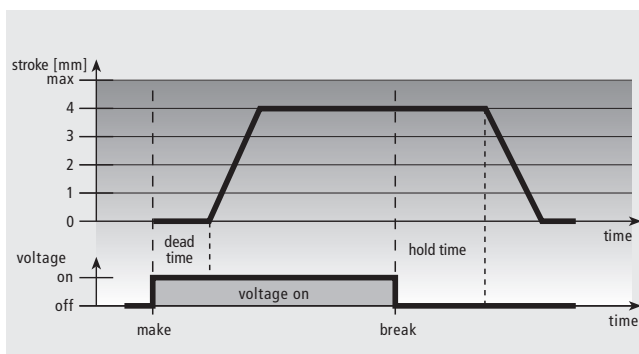
Typ	AA 2004 AA 2104
Version	normally closed normally open
Voltage	230 V AC, +10%...-10%, 50/60 Hz
Max. inrush current	300 mA during 200 ms max.
Operating current	8 mA
Operating power	1,8 W
Closing and opening times	ca. 3 min.
Actuator travel	4 mm
Actuator force	100 N ± 5%
Fluid temperature	0 - 100 °C ¹⁾
Storage temperature	-25 to +60°C
Ambient temperature	0 to +60°C
Degree / Class of protection	IP 54 ²⁾ / II
CE conformity according to	EN 60730
Housing / housing colour	weiss, RAL 9003
Weight	73 g without adapter and cable
Connecting cable / length	2 x 0,75 mm ² PVC, grey 1 m
Overvoltage protection according to EN 60730-1	at least 2,5 kV



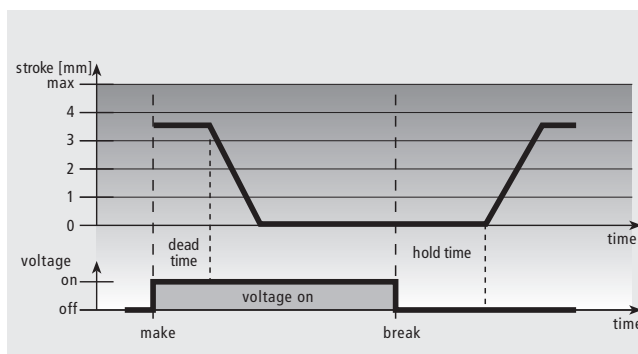
¹⁾ in dependence of the adapter even higher
²⁾ in all installation positions
³⁾ referring to standard valves

Characteristic Curves

Normally Closed (NC)

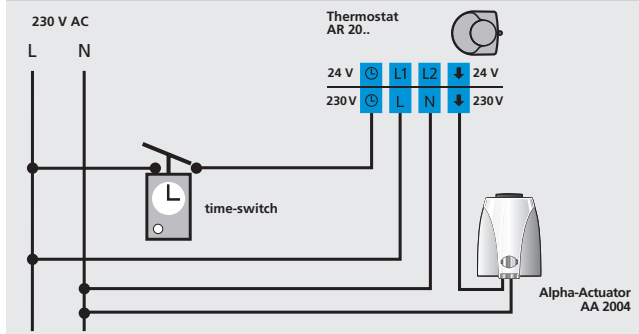


Normally Open (NO)



Planning and Installation Notes

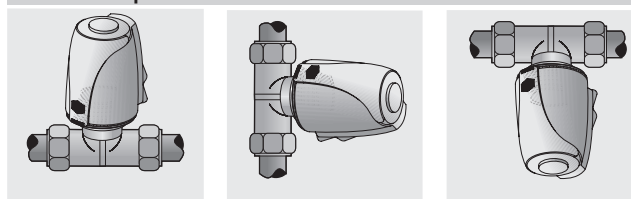
Connections Overview



We recommend the following lines for installation a 230 V system:

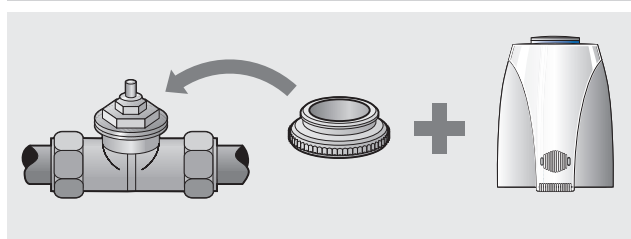
Light plastic-sheathed cable	NYM	1,5 mm ²
Flat webbed building wire	NYIF	1,5 mm ²

Installation positions



Preferred installation positions of the Alpha-Actuator are vertical and horizontal. An up-side down position may reduce product life through special circumstances (e.g. contaminated water).

Valve adaptation



Valve adaptation is achieved by a valve adapter which is available in different versions to suit the most common valve bottoms and heating circuit distributors (please consider when ordering).